



\* PS500C / PS700C

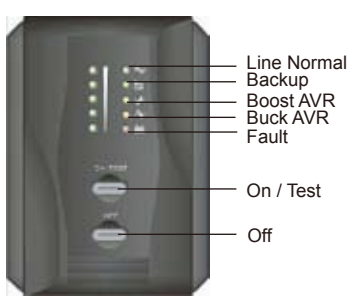
**PS500C / PS700C**

**Features**

- \* Pure Sine wave
- \* Line-interactive design
- \* Boost and buck AVR
- \* Overload, AVR, on-line, back up and battery status LEDs display
- \* Fully digitized microprocessor control
- \* RS-232 or USB communication port (500VA~700VA models)
- \* RS-232 and USB communication port (1000VA~3000VA models)
- \* Lightning and surge protection
- \* Short circuit and overload protection
- \* 50/60Hz frequency auto sensing
- \* Tel / modem / internet spike protection
- \* Cold start (DC power on)
- \* Hot swappable battery
- \* SNMP card slot (PS1000C-PS3000C)

**Front Panel**

PS500C / PS700C



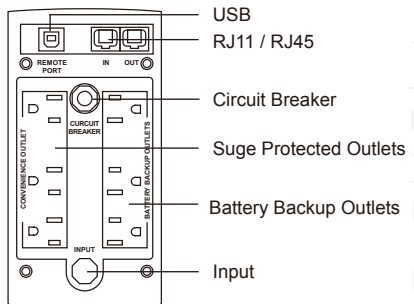
**Specifications**

Model Name	PS500C	PS700C
Typology	Line-Interactive	
On-battery Output Wave Form	Pure Sine Wave	
<b>INPUT</b>		
Capacity	500VA/300W	700VA/420W
Voltage	100V, 110V, 115V, 120V / 220V, 230V, 240V*	
Frequency	50 or 60Hz +/-10% (auto sensing)	
<b>OUTPUT</b>		
Voltage (on battery)	Pure sine wave output at nominal +/-5%	
Frequency (on battery)	50 or 60Hz +/-0.5%	
Voltage Regulation AVR	AVR automatically increases output voltage 15% above input voltage when input voltage drops lower than 9% from nominal. AVR decreases output voltage 13% below input voltage when input voltage rises higher than 9% from nominal.	
<b>PROTECTION AND FILTERING</b>		
Spike Protection	320 Joules, 2ms	
Unit Input	Fuse or Circuit breaker for overload & short circuit protection	
EMI/RFI filter	10dB at 0.15MHz, 50dB at 30MHz	
Overload protection	UPS automatic shutdown if overload exceeds 110% of nominal for 20 seconds and 125% for 2 seconds	
Transfer Time	2~4 milliseconds (typical)	
Short Circuit	UPS output cut off immediately or input open protection	
<b>BATTERY</b>		
Type	Sealed, maintenance free lead-acid	
Typical Recharge Time	4 hours (to 90% of full capacity)	
User Replaceable Battery	12V / 7AH x 1	12V / 34W x 1
Protection	Automatic self-test & deep discharge protection, Replace battery indicator	
Back-up Time	10 - 30 minutes (depending on computer load)	
<b>ALARM</b>		
Battery Back-Up	Slow beeping sound (about 0.25Hz)	
Battery Low	Rapid beeping sound (about 1.00Hz)	
Overload	Continuous beeping sound	
<b>INTERFACE</b>		
RS-232 or USB Interface	Battery test, UPS ON/OFF Schedule, AC input/output power status display	
<b>ENVIRONMENT</b>		
Operation	Elevation: 3,500m max, Humidity: 0%-95%(without condensation formation), Temperature: 0-40 deg C	
Audible noise	<40dBA (1 meter from surface)	
Storage condition	15000 meters max. elevation	
<b>PHYSICAL</b>		
Net Weight Kg(Net/Gross)	(lbs) 14.5 / 16.3 (kg) 6.6 / 7.4	15.6 / 17.4 6.7 / 7.9
Dimension (Physical/Packing)	(in) 12.6 x 3.8 x 5.3 / 16 x 7.6 x 10.2 (mm) 320 x 97 x 135 / 406 x 192 x 258	

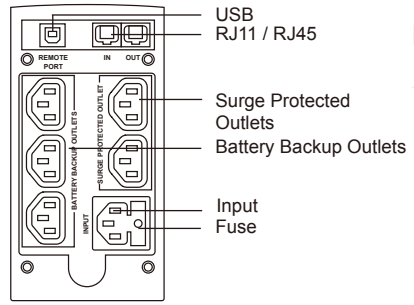
\* See VS1000C on page 6

**Rear Panel**

PS500C / 700C



110V / 120V



220V / 230V / 240V

